

SCO-6023R

1080p Analog HD IR Bullet Camera

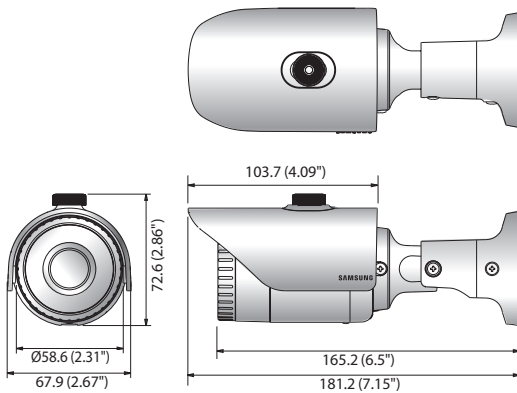


Key Features

- Full HD (1920 x 1080, 30fps) resolution
- 0.25Lux@F2.1 (Color), 0Lux@F2.1 (B/W : IR LED on)
- Built-in 4mm fixed lens
- Day & Night (ICR), DWDR, SSNRIV, Motion detection
- IR viewable length 20m, IP66
- Transmission distance max. 500m
- Easy installation (Plug & play)

Dimensions

Unit : mm (inch)



SCO-6023RN/P

VIDEO	
Imaging Device	1/3" 2M CMOS
Total Pixels	1,956(H) x 1,266(V) 2.47M pixels
Effective Pixels	1,944(H) x 1,092(V) 2.12M pixels
Scanning System	Progressive scan
Min. Illumination	Color : 0.25Lux (F2.1) B/W : 0Lux (IR LED on)
S / N Ratio	52dB (AGC off, Weight on)
Video Output	BNC (AHD, CVBS selectable)
Resolution	1920 x 1080
Max. Framerate	30fps@1080p, 30fps@720p
LENS	
Focal Length (Zoom Ratio)	4mm fixed
Max. Aperture Ratio	F2.1
Angular Field of View	H : 80.7° / V : 43.5° / D : 95.8°
Min. Object Distance	0.5m (1.64ft)
Focus Control	Manual
Lens Type	Fixed
Mount Type	Board-in type
OPERATIONAL	
On Screen Display	English, Japanese, Spanish, French, Portuguese, Korean, German, Italian, Russian, Polish, Czech, Romanian, Serbian, Swedish, Danish, Turkish
Camera Title	Off / On (Displayed 15 characters)
Day & Night	Auto (ICR) / Color / B/W
Backlight Compensation	Off / User BLC / HLC
Wide Dynamic Range	DWDR
Digital Noise Reduction	SSNRIV (Off / On)
Defog	Off / Auto / Manual
Motion Detection	Off / On (4 zones)
Privacy Masking	Off / On (4 zones rectangle)
Gain Control	Off / Low / Middle / High
White Balance	ATW / Outdoor / Indoor / Manual / AWC (1,800K ~ 10,500K*)
Electronic Shutter Speed	1sec ~ 1/12,000sec
Reverse	Off / H-Rev / V-Rev / HV-Rev
Profile	Basic, Day & Night, Backlight, Indoor, User
Remote Control Interface	Coaxial control
Protocol	Coax : NTSC/PAL - Samsung CCVC, Pelco-C (Coaxitron), AHD - ACP (AHD Coax Protocol)
IR Distance	30m (98.43ft)
Video Transmission Distance	500m (1,640.42ft) (75-5 coaxial cable)
ENVIRONMENTAL	
Operating Temperature / Humidity	-30°C ~ +55°C (-22°F ~ +131°F) / Less than 90% RH *Start up should be done at above -10°C (+14°F)
Ingress Protection	IP66
ELECTRICAL	
Input Voltage / Current	12V DC $\pm 10\%$
Power Consumption	Max. 4.2W
MECHANICAL	
Color / Material	Dark gray / Plastic
Dimensions (WxH)	$\varnothing 58.6$ x 165.2mm ($\varnothing 2.31$ " x 6.5") (Without sunshield)
Weight	208g (0.46 lb)

* The latest product information / specification can be found at <http://security.hanwhatechwin.com>